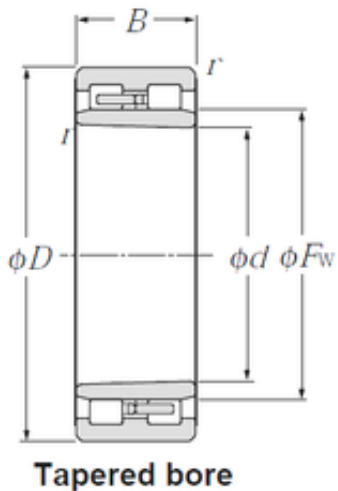




# BEARING CORP.OF AMERICA

130 mm x 180 mm x 50 mm NTN NNU4926K



Bearing No. NNU4926K

Size	130x180x50 mm
Bore Diameter	130 mm
Outer Diameter	180 mm
Width	50 mm
d	130 mm
Fw	146 mm
D	180 mm
B	50 mm
C	50 mm
r min.	1,5 mm
Weight	3,52 Kg
Basic dynamic load rating (C)	220 kN
Basic static load rating (C0)	440 kN
(Grease) Lubrication Speed	3 300 r/min

NTN4926K Bearing 2D drawings and 3D CAD models