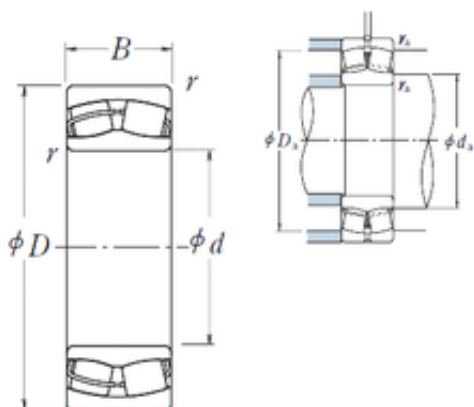




BEARING CORP.OF AMERICA



110 mm x 180 mm x 69 mm NSK 24122CE4 Spherical Roller Bearing

Bearing No. 24122CE4

24122CE4 Bearing 2D drawings and 3D CAD models

Size	110x180x69 mm
Bore Diameter	110 mm
Outer Diameter	180 mm
Width	69 mm
d	110 mm
D	180 mm
B	69 mm
C	69 mm
r min.	2 mm
da min.	120 mm
da max	123 mm
Da min	154 mm
Da max.	170 mm
ra max.	2 mm
Weight	6,84 Kg
Basic dynamic load rating (C)	460 kN
Basic static load rating (C0)	750 kN
(Grease) Lubrication Speed	1600 r/min
(Oil) Lubrication Speed	2000 r/min
Calculation factor (e)	0,36
Calculation factor (Y0)	1,8
Calculation factor (Y2)	2,8
Category	Spherical Roller Bearings
Inventory	0.0
Manufacturer Name	NSK



BEARING CORP.OF AMERICA

Minimum Buy Quantity	N/A
Weight / Kilogram	6.75
EAN	0029176010774
Product Group	B04311
Internal Clearance	C0-Medium
Mounting Method	Shaft Mount
Rolling Element	Spherical Roller Bearing
Bore Profile	Straight
Cage Material	Steel
Enclosure	Open
Number of Rows of Rollers	Double Row
Relubricatable	Yes
Withdrawal Sleeve	Not Applicable
Inch - Metric	Metric
Long Description	110MM Straight Bore; 180MM Outside Diameter; 69MM Width; C0-Medium Clearance; Shaft Mount; Double Row of Spherical Roller Bearings; Steel Cage Material; Open Enclosure; Relubricatable
Category	Spherical Roller Bearing
UNSPSC	31171510
Harmonized Tariff Code	84823080
Noun	Bearing
Keyword String	Spherical
Manufacturer URL	http://www.nskamericas.com
Manufacturer Item Number	24122CE4
Weight / LBS	6.9
Adapter Part Number	Not Applicable Inch Not Applicable Millimeter
Width	2.717 Inch 69 Millimeter
Outside Diameter	7.087 Inch 180 Millimeter



BEARING CORP.OF AMERICA

Bore	4.331 Inch 110 Millimeter
Y3	1.9
hidYobi	24122CE4
LangID	1
Y1	1.9
D_	180
Y2	2.8
Macha rpm	0
B_	69
da min	120
hidTable	ecat_NSSPHR
Oil rpm	2000
Y0	1.8
mass	6.84
GRS rpm	1600
ra	2
TSR rpm	2200
C0	750
DE_	162.442
X0	1
Prod_Type3	SRB_CTB_CB
X1	1
X2	0.67
SIR	27.5
e	0.36
DA_	17.7
bomp	24122CE4
Z_	21
ALP2	25
ALP1	13
ALP3	0
D_a max	170



BEARING CORP.OF AMERICA

D_a min	154
yobi	24122CE4
ALPHA_	0.234
SDM_	145.225
r	2
KBRG	2322
SBRG	41
DI_	128.008