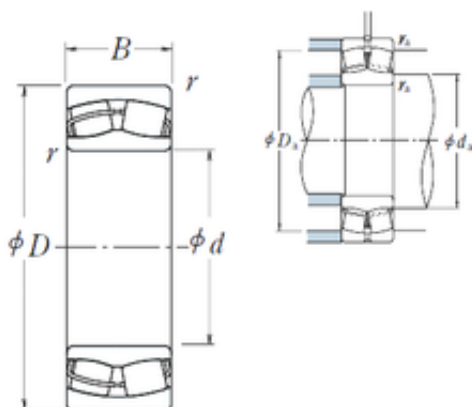




BEARING CORP.OF AMERICA



140 mm x 300 mm x 102 mm NSK 22328CE4 Spherical Roller Bearing

Bearing No. 22328CE4

22328CE4 Bearing 2D drawings and 3D CAD models

Size	140x300x102 mm
Bore Diameter	140 mm
Outer Diameter	300 mm
Width	102 mm
d	140 mm
D	300 mm
B	102 mm
C	102 mm
r min.	4 mm
da min.	158 mm
da max	177 mm
Da min	253 mm
Da max.	282 mm
ra max.	3 mm
Weight	35,4 Kg
Basic dynamic load rating (C)	1160 kN
Basic static load rating (C0)	1590 kN
(Grease) Lubrication Speed	1200 r/min
(Oil) Lubrication Speed	1500 r/min
Calculation factor (e)	0,35
Calculation factor (Y0)	1,9
Calculation factor (Y2)	2,9
Category	Bearings
Inventory	0.0
Manufacturer Name	NSK



BEARING CORP.OF AMERICA

Minimum Buy Quantity	N/A
EAN	0029176792564
Weight / US pound	35.4
Product Group	B04311
Y3	1.9
hidYobi	22328CE4
LangID	1
Y1	1.9
D_	300
Y2	2.9
Macha rpm	0
B_	102
da min	158
hidTable	ecat_NSSPHR
Oil rpm	1500
Y0	1.9
mass	35.4
GRS rpm	1200
ra	3
TSR rpm	1700
C0	1590
DE_	263.847
X0	1
Prod_Type3	SRB_CTB_CB
X1	1
X2	0.67
SIR	39.5
e	0.35
DA_	40.5
bomp	22328CE4
Z_	15
ALP2	10



BEARING CORP.OF AMERICA

ALP1	13
ALP3	0
D_a max	282
D_a min	253
yobi	22328CE4
ALPHA_	0.23
SDM_	224.411
r	4
KBRG	2322
SBRG	23
DI_	184.976