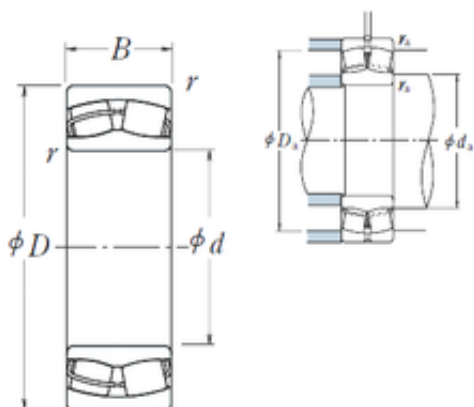




BEARING CORP.OF AMERICA



170 mm x 310 mm x 86 mm NSK 22234CDE4 Spherical Roller Bearing

Bearing No. 22234CDE4

22234CDE4 Bearing 2D drawings and 3D CAD models

Size	170x310x86 mm
Bore Diameter	170 mm
Outer Diameter	310 mm
Width	86 mm
d	170 mm
D	310 mm
B	86 mm
C	86 mm
r min.	4 mm
da min.	188 mm
da max	206 mm
Da min	270 mm
Da max.	292 mm
ra max.	3 mm
Weight	28,8 Kg
Basic dynamic load rating (C)	990 kN
Basic static load rating (C0)	1500 kN
(Grease) Lubrication Speed	1100 r/min
(Oil) Lubrication Speed	1400 r/min
Calculation factor (e)	0,26
Calculation factor (Y0)	2,5
Calculation factor (Y2)	3,8
Category	Spherical Roller Bearings
Inventory	0.0
Manufacturer Name	NSK



BEARING CORP.OF AMERICA

Minimum Buy Quantity	N/A
Weight / Kilogram	28.5
Product Group	B04311
Internal Clearance	C0-Medium
Mounting Method	Shaft Mount
Rolling Element	Spherical Roller Bearing
Bore Profile	Straight
Cage Material	Steel
Enclosure	Open
Number of Rows of Rollers	Double Row
Relubricatable	Yes
Withdrawal Sleeve	Not Applicable
Inch - Metric	Metric
Long Description	170MM Straight Bore; 310MM Outside Diameter; 86MM Width; C0-Medium Clearance; Shaft Mount; Double Row of Spherical Roller Bearings; Steel Cage Material; Open Enclosure; Relubricatable
Category	Spherical Roller Bearing
UNSPSC	31171510
Harmonized Tariff Code	84823080
Noun	Bearing
Keyword String	Spherical
Manufacturer URL	http://www.nskamericas.com
Manufacturer Item Number	22234CDE4
Weight / LBS	28.5
Outside Diameter	12.205 Inch 310 Millimeter
Width	3.386 Inch 86 Millimeter
Bore	6.693 Inch 170 Millimeter
Adapter Part Number	Not Applicable Inch Not Applicable Millimeter



BEARING CORP.OF AMERICA

bore diameter:	170 mm
outer ring type:	Not Split
outside diameter:	310 mm
internal clearance:	C0
overall width:	86 mm
lubrication hole type:	Oil Grooves And Holes In Outer Ring
bore type:	Straight
cage material:	Steel
Y3	2.6
hidYobi	22234CDE4
LangID	1
Y1	2.6
D_	310
Y2	3.8
Macha rpm	0
B_	86
da min	188
hidTable	ecat_NSSPHR
Oil rpm	1400
Y0	2.5
mass	28.8
GRS rpm	1100
ra	3
TSR rpm	2000
C0	1500
DE_	277.716
X0	1
Prod_Type3	SRB_CTB_CB
X1	1
X2	0.67
SIR	33
e	0.26



BEARING CORP.OF AMERICA

DA_	34
bomp	22234CDE4
Z_	19
ALP2	0
ALP1	10
ALP3	0
D_a max	292
D_a min	270
yobi	22234CDE4
ALPHA_	0.175
SDM_	244.232
r	4
KBRG	2321
SBRG	22
DI_	210.749