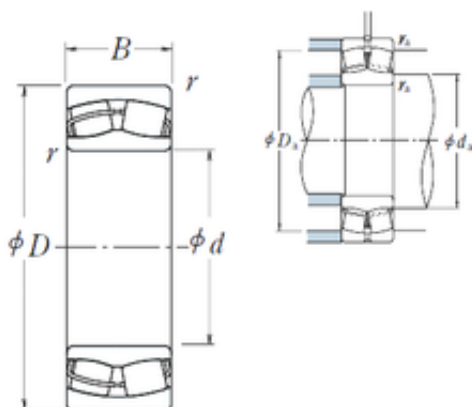




# BEARING CORP.OF AMERICA



## 190 mm x 320 mm x 128 mm NSK 24138CE4 Spherical Roller Bearing

Bearing No. 24138CE4

24138CE4 Bearing 2D drawings and 3D CAD models

Size	190x320x128 mm
Bore Diameter	190 mm
Outer Diameter	320 mm
Width	128 mm
d	190 mm
D	320 mm
B	128 mm
C	128 mm
r min.	3 mm
da min.	204 mm
da max	211 mm
Da min	269 mm
Da max.	306 mm
ra max.	2,5 mm
Weight	41,5 Kg
Basic dynamic load rating (C)	1370 kN
Basic static load rating (C0)	2330 kN
(Grease) Lubrication Speed	850 r/min
(Oil) Lubrication Speed	1100 r/min
Calculation factor (e)	0,4
Calculation factor (Y0)	1,6
Calculation factor (Y2)	2,5
Category	Roller Bearings
Inventory	0.0
Manufacturer Name	NSK



## BEARING CORP.OF AMERICA

Minimum Buy Quantity	N/A
Weight / Kilogram	40
EAN	0029176524059
Product Group	B04311
Y3	1.7
hidYobi	24138CE4
LangID	1
Y1	1.7
D_	320
Y2	2.5
Macha rpm	0
B_	128
da min	204
hidTable	ecat_NSSPHR
Oil rpm	1100
Y0	1.6
mass	41.5
GRS rpm	850
ra	2.5
TSR rpm	1000
C0	2330
DE_	285.914
X0	1
Prod_Type3	SRB_CTB_CB
X1	1
X2	0.67
SIR	51
e	0.4
DA_	33.5
bomp	24138CE4
Z_	19
ALP2	0



## BEARING CORP.OF AMERICA

ALP1	15
ALP3	0
D_a max	306
D_a min	269
yobi	24138CE4
ALPHA_	0.262
SDM_	253.556
r	3
KBRG	2322
SBRG	41
DI_	221.197