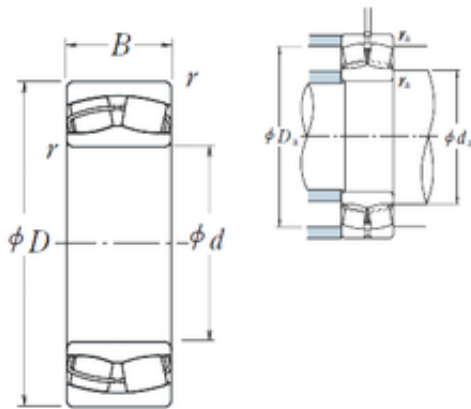




BEARING CORP.OF AMERICA



220 mm x 370 mm x 120 mm NSK 23144CE4 Spherical Roller Bearing

Bearing No. 23144CE4

23144CE4 Bearing 2D drawings and 3D CAD models

Size	220x370x120 mm
Bore Diameter	220 mm
Outer Diameter	370 mm
Width	120 mm
d	220 mm
D	370 mm
B	120 mm
C	120 mm
r min.	4 mm
da min.	238 mm
da max	254 mm
Da min	320 mm
Da max.	352 mm
ra max.	3 mm
Weight	53 Kg
Basic dynamic load rating (C)	1570 kN
Basic static load rating (C0)	2710 kN
(Grease) Lubrication Speed	710 r/min
(Oil) Lubrication Speed	950 r/min
Calculation factor (e)	0,3
Calculation factor (Y0)	2,2
Calculation factor (Y2)	3,3
Category	Spherical Roller Bearings
Inventory	0.0
Manufacturer Name	NSK



BEARING CORP.OF AMERICA

Minimum Buy Quantity	N/A
Weight / Kilogram	70
EAN	0029176031731
Product Group	B04311
Internal Clearance	C0-Medium
Mounting Method	Shaft Mount
Rolling Element	Spherical Roller Bearing
Bore Profile	Straight
Cage Material	Steel
Enclosure	Open
Number of Rows of Rollers	Double Row
Relubricatable	Yes
Withdrawal Sleeve	Not Applicable
Inch - Metric	Metric
Long Description	220MM Straight Bore; 370MM Outside Diameter; 120MM Width; C0-Medium Clearance; Shaft Mount; Double Row of Spherical Roller Bearings; Steel Cage Material; Open Enclosure; Relubricatable
Category	Spherical Roller Bearing
UNSPSC	31171510
Harmonized Tariff Code	84823080
Noun	Bearing
Keyword String	Spherical
Manufacturer URL	http://www.nskamericas.com
Manufacturer Item Number	23144CE4
Weight / LBS	60
Outside Diameter	14.567 Inch 370 Millimeter
Bore	8.661 Inch 220 Millimeter
Adapter Part Number	Not Applicable Inch Not Applicable Millimeter



BEARING CORP.OF AMERICA

Width	4.724 Inch 120 Millimeter
bore diameter:	220 mm
outer ring type:	Not Split
outside diameter:	370 mm
internal clearance:	C0
overall width:	120 mm
lubrication hole type:	Oil Grooves And Holes In Outer Ring
bore type:	Straight
cage material:	Brass
Y3	2.2
hidYobi	23144CE4
LangID	1
Y1	2.2
D_	370
Y2	3.3
Macha rpm	0
B_	120
da min	238
hidTable	ecat_NSSPHR
Oil rpm	950
Y0	2.2
mass	53
GRS rpm	710
ra	3
TSR rpm	1300
C0	2710
DE_	333.273
X0	1
Prod_Type3	SRB_CTB_CB
X1	1
X2	0.67
SIR	48



BEARING CORP.OF AMERICA

e	0.3
DA_	37
bomp	23144CE4
Z_	21
ALP2	25
ALP1	11
ALP3	0
D_a max	352
D_a min	320
yobi	23144CE4
ALPHA_	0.199
SDM_	297.005
r	4
KBRG	2322
SBRG	31
DI_	260.737