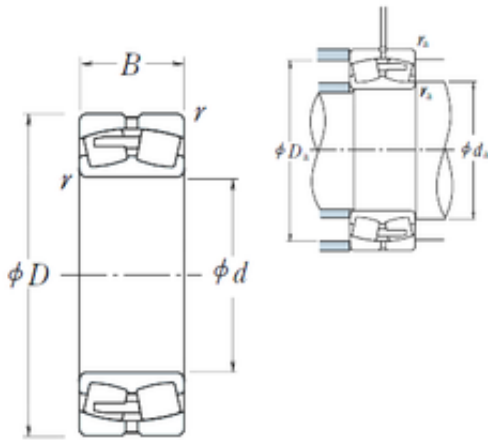




BEARING CORP.OF AMERICA

240 mm x 360 mm x 92 mm NSK 23048CAE4 Spherical Roller Bearing

Bearing No. 23048CAE4



23048CAE4 Bearing 2D drawings and 3D CAD models

| | |
|-------------------------------|---------------|
| Size | 240x360x92 mm |
| Bore Diameter | 240 mm |
| Outer Diameter | 360 mm |
| Width | 92 mm |
| d | 240 mm |
| D | 360 mm |
| B | 92 mm |
| C | 92 mm |
| r min. | 3 mm |
| da min. | 254 mm |
| Da min | 324 mm |
| Da max. | 346 mm |
| ra max. | 2,5 mm |
| Weight | 32,6 Kg |
| Basic dynamic load rating (C) | 1160 kN |
| Basic static load rating (C0) | 2140 kN |
| (Grease) Lubrication Speed | 850 r/min |
| (Oil) Lubrication Speed | 1100 r/min |
| Calculation factor (e) | 0,24 |
| Calculation factor (Y0) | 2,7 |
| Calculation factor (Y2) | 4,2 |