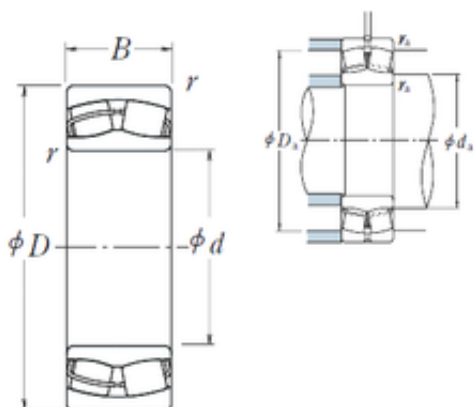




BEARING CORP.OF AMERICA



240 mm x 400 mm x 160 mm NSK 24148CE4 Spherical Roller Bearing

Bearing No. 24148CE4

24148CE4 Bearing 2D drawings and 3D CAD models

Size	240x400x160 mm
Bore Diameter	240 mm
Outer Diameter	400 mm
Width	160 mm
d	240 mm
D	400 mm
B	160 mm
C	160 mm
r min.	4 mm
da min.	258 mm
da max	268 mm
Da min	341 mm
Da max.	382 mm
ra max.	3 mm
Weight	79,5 Kg
Basic dynamic load rating (C)	2130 kN
Basic static load rating (C0)	3800 kN
(Grease) Lubrication Speed	670 r/min
(Oil) Lubrication Speed	850 r/min
Calculation factor (e)	0,38
Calculation factor (Y0)	1,8
Calculation factor (Y2)	2,7
Category	Spherical Roller Bearings
Inventory	0.0
Manufacturer Name	NSK



BEARING CORP.OF AMERICA

Minimum Buy Quantity	N/A
Weight / Kilogram	79
EAN	0029176078514
Product Group	B04311
Internal Clearance	C0-Medium
Mounting Method	Shaft Mount
Rolling Element	Spherical Roller Bearing
Bore Profile	Straight
Cage Material	Steel
Enclosure	Open
Number of Rows of Rollers	Double Row
Relubricatable	Yes
Withdrawal Sleeve	Not Applicable
Inch - Metric	Metric
Long Description	240MM Straight Bore; 400MM Outside Diameter; 160MM Width; C0-Medium Clearance; Shaft Mount; Double Row of Spherical Roller Bearings; Steel Cage Material; Open Enclosure; Relubricatable
Category	Spherical Roller Bearing
UNSPSC	31171510
Harmonized Tariff Code	84823080
Noun	Bearing
Keyword String	Spherical
Manufacturer URL	http://www.nskamericas.com
Manufacturer Item Number	24148CE4
Weight / LBS	79
Width	6.299 Inch 160 Millimeter
Adapter Part Number	Not Applicable Inch Not Applicable Millimeter
Outside Diameter	15.748 Inch 400 Millimeter



BEARING CORP.OF AMERICA

Bore	9.449 Inch 240 Millimeter
Y3	1.8
hidYobi	24148CE4
LangID	1
Y1	1.8
D_	400
Y2	2.7
Macha rpm	0
B_	160
da min	258
hidTable	ecat_NSSPHR
Oil rpm	850
Y0	1.8
mass	79.5
GRS rpm	670
ra	3
TSR rpm	750
C0	3800
DE_	360.819
X0	1
Prod_Type3	SRB_CTB_CB
X1	1
X2	0.67
SIR	63
e	0.38
DA_	42
bomp	24148CE4
Z_	20
ALP2	5
ALP1	14
ALP3	0
D_a max	382



BEARING CORP.OF AMERICA

D_a min	341
yobi	24148CE4
ALPHA_	0.246
SDM_	320.081
r	4
KBRG	2322
SBRG	41
DI_	279.344