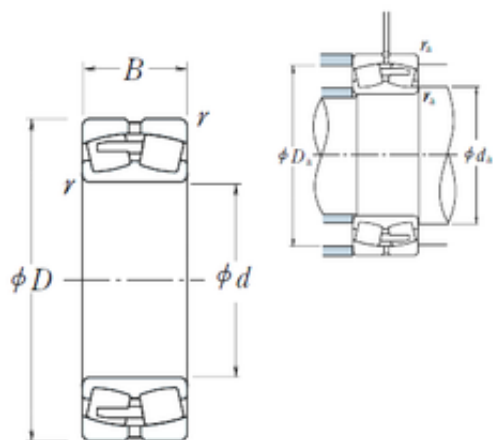




BEARING CORP.OF AMERICA



320 mm x 480 mm x 160 mm NSK 24064CAE4 Spherical Roller Bearing

Bearing No. 24064CAE4

Size	320x480x160 mm
Bore Diameter	320 mm
Outer Diameter	480 mm
Width	160 mm
d	320 mm
D	480 mm
B	160 mm
C	160 mm
r min.	4 mm
da min.	338 mm
Da min	422 mm
Da max.	462 mm
ra max.	3 mm
Weight	99,7 Kg
Basic dynamic load rating (C)	2440 kN
Basic static load rating (C0)	5050 kN
(Grease) Lubrication Speed	500 r/min
(Oil) Lubrication Speed	670 r/min
Calculation factor (e)	0,31
Calculation factor (Y0)	2,2
Calculation factor (Y2)	3,3

24064CAE4 Bearing 2D drawings and 3D CAD models