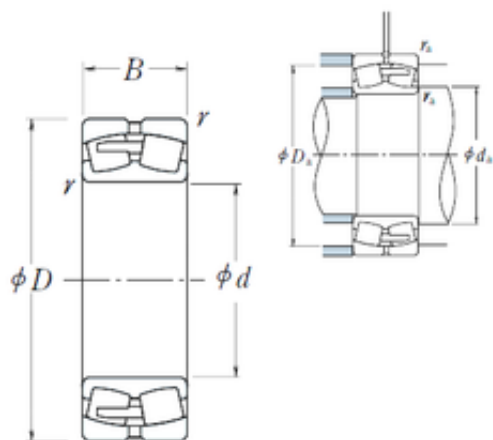




BEARING CORP.OF AMERICA



360 mm x 600 mm x 243 mm NSK 24172CAE4 Spherical Roller Bearing

Bearing No. 24172CAE4

| | |
|-------------------------------|----------------|
| Size | 360x600x243 mm |
| Bore Diameter | 360 mm |
| Outer Diameter | 600 mm |
| Width | 243 mm |
| d | 360 mm |
| D | 600 mm |
| B | 243 mm |
| C | 243 mm |
| r min. | 5 mm |
| da min. | 382 mm |
| Da min | 507 mm |
| Da max. | 578 mm |
| ra max. | 4 mm |
| Weight | 264 Kg |
| Basic dynamic load rating (C) | 4200 kN |
| Basic static load rating (C0) | 8000 kN |
| (Grease) Lubrication Speed | 400 r/min |
| (Oil) Lubrication Speed | 530 r/min |
| Calculation factor (e) | 0,4 |
| Calculation factor (Y0) | 1,7 |
| Calculation factor (Y2) | 2,5 |

24172CAE4 Bearing 2D drawings and 3D CAD models