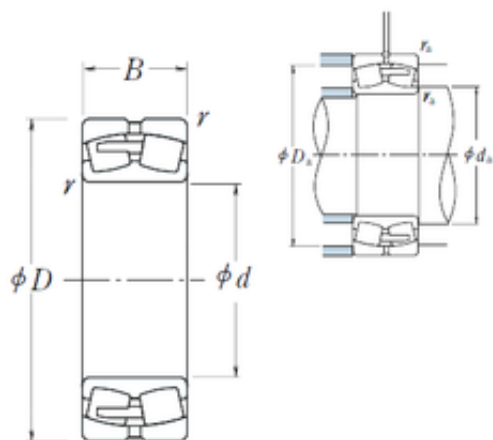




BEARING CORP.OF AMERICA



400 mm x 650 mm x 250 mm NSK 24180CAE4 Spherical Roller Bearing

Bearing No. 24180CAE4

Size	400x650x250 mm
Bore Diameter	400 mm
Outer Diameter	650 mm
Width	250 mm
d	400 mm
D	650 mm
B	250 mm
C	250 mm
r min.	6 mm
da min.	428 mm
Da min	551 mm
Da max.	622 mm
ra max.	5 mm
Weight	316 Kg
Basic dynamic load rating (C)	4950 kN
Basic static load rating (C0)	10100 kN
(Grease) Lubrication Speed	380 r/min
(Oil) Lubrication Speed	480 r/min
Calculation factor (e)	0,37
Calculation factor (Y0)	1,8
Calculation factor (Y2)	2,7

24180CAE4 Bearing 2D drawings and 3D CAD models