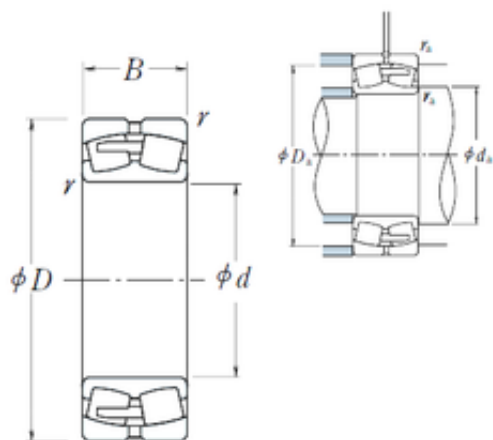




BEARING CORP.OF AMERICA



460 mm x 760 mm x 300 mm NSK 24192CAE4 Spherical Roller Bearing

Bearing No. 24192CAE4

Size	460x760x300 mm
Bore Diameter	460 mm
Outer Diameter	760 mm
Width	300 mm
d	460 mm
D	760 mm
B	300 mm
C	300 mm
r min.	7,5 mm
da min.	496 mm
Da min	646 mm
Da max.	724 mm
ra max.	6 mm
Weight	512 Kg
Basic dynamic load rating (C)	6300 kN
Basic static load rating (C0)	12400 kN
(Grease) Lubrication Speed	300 r/min
(Oil) Lubrication Speed	400 r/min
Calculation factor (e)	0,39
Calculation factor (Y0)	1,7
Calculation factor (Y2)	2,6

24192CAE4 Bearing 2D drawings and 3D CAD models