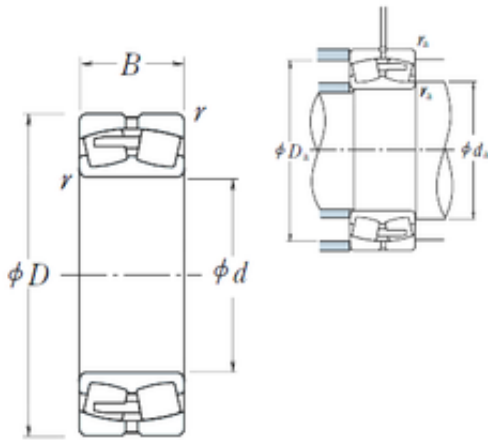




BEARING CORP.OF AMERICA

480 mm x 790 mm x 308 mm NSK 24196CAE4 Spherical Roller Bearing

Bearing No. 24196CAE4



24196CAE4 Bearing 2D drawings and 3D CAD models

Size	480x790x308 mm
Bore Diameter	480 mm
Outer Diameter	790 mm
Width	308 mm
d	480 mm
D	790 mm
B	308 mm
C	308 mm
r min.	7,5 mm
da min.	516 mm
Da min	670 mm
Da max.	754 mm
ra max.	6 mm
Weight	567 Kg
Basic dynamic load rating (C)	7150 kN
Basic static load rating (C0)	14600 kN
(Grease) Lubrication Speed	300 r/min
(Oil) Lubrication Speed	380 r/min
Calculation factor (e)	0,39
Calculation factor (Y0)	1,7
Calculation factor (Y2)	2,6