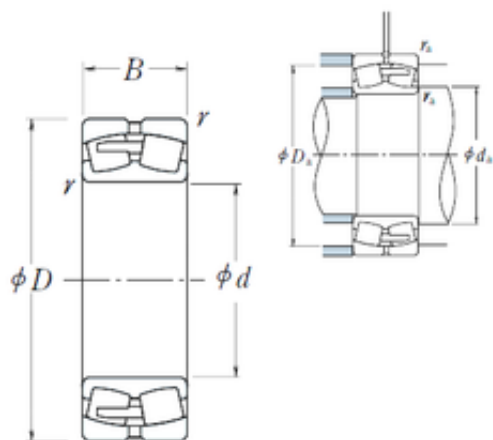




BEARING CORP.OF AMERICA



500 mm x 830 mm x 325 mm NSK 241/500CAE4 Spherical Roller Bearing

Bearing No. 241/500CAE4

| | |
|-------------------------------|----------------|
| Size | 500x830x325 mm |
| Bore Diameter | 500 mm |
| Outer Diameter | 830 mm |
| Width | 325 mm |
| d | 500 mm |
| D | 830 mm |
| B | 325 mm |
| C | 325 mm |
| r min. | 7,5 mm |
| da min. | 536 mm |
| Da min | 703 mm |
| Da max. | 794 mm |
| ra max. | 6 mm |
| Weight | 666 Kg |
| Basic dynamic load rating (C) | 8000 kN |
| Basic static load rating (C0) | 16000 kN |
| (Grease) Lubrication Speed | 280 r/min |
| (Oil) Lubrication Speed | 360 r/min |
| Calculation factor (e) | 0,39 |
| Calculation factor (Y0) | 1,7 |
| Calculation factor (Y2) | 2,6 |

241/500CAE4 Bearing 2D drawings and 3D CAD models