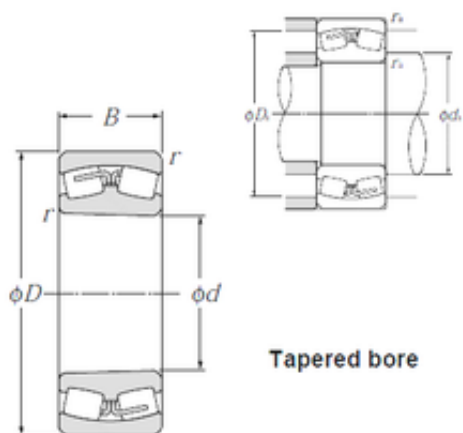




# BEARING CORP.OF AMERICA

## 150 mm x 250 mm x 80 mm NTN 23130BK Spherical Roller Bearings



Bearing No. 23130BK

Size	150x250x80 mm
Bore Diameter	150 mm
Outer Diameter	250 mm
Width	80 mm
d	150 mm
D	250 mm
B	80 mm
C	80 mm
r min.	2,1 mm
da min.	162 mm
Da max.	238 mm
ra max.	2 mm
Weight	15,1 Kg
Basic dynamic load rating (C)	730 kN
Basic static load rating (C0)	1 190 kN
(Grease) Lubrication Speed	1 300 r/min
(Oil) Lubrication Speed	1 700 r/min
Calculation factor (e)	0,32
Calculation factor (Y0)	2,06
Calculation factor (Y1)	2,11

23130BK Bearing 2D drawings and 3D CAD models