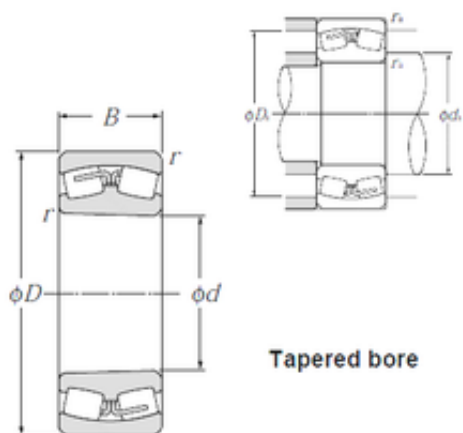




# BEARING CORP.OF AMERICA

## 160 mm x 290 mm x 104 mm NTN 23232BK Spherical Roller Bearings



Bearing No. 23232BK

Size	160x290x104 mm
Bore Diameter	160 mm
Outer Diameter	290 mm
Width	104 mm
d	160 mm
D	290 mm
B	104 mm
C	104 mm
r min.	3 mm
da min.	174 mm
Da max.	276 mm
ra max.	2,5 mm
Weight	29,1 Kg
Basic dynamic load rating (C)	1 050 kN
Basic static load rating (C0)	1 660 kN
(Grease) Lubrication Speed	1 200 r/min
(Oil) Lubrication Speed	1 500 r/min
Calculation factor (e)	0,36
Calculation factor (Y0)	1,82
Calculation factor (Y1)	1,86

23232BK Bearing 2D drawings and 3D CAD models