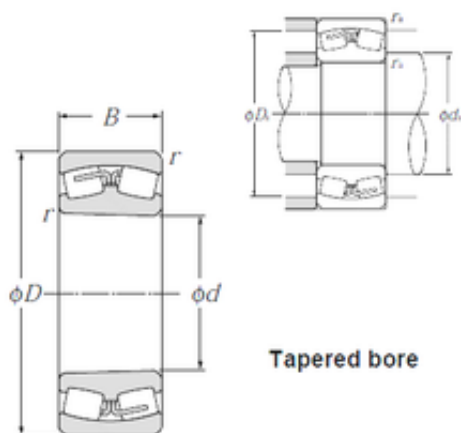




BEARING CORP.OF AMERICA

190 mm x 290 mm x 100 mm NTN 24038CK30 Spherical Roller Bearings



Bearing No. 24038CK30

Size	190x290x100 mm
Bore Diameter	190 mm
Outer Diameter	290 mm
Width	100 mm
d	190 mm
D	290 mm
B	100 mm
C	100 mm
r min.	2,1 mm
da min.	202 mm
Da max.	278 mm
ra max.	2 mm
Weight	22,6 Kg
Basic dynamic load rating (C)	970 kN
Basic static load rating (C0)	1 820 kN
(Grease) Lubrication Speed	1 100 r/min
(Oil) Lubrication Speed	1 400 r/min
Calculation factor (e)	0,31
Calculation factor (Y0)	2,12
Calculation factor (Y1)	2,16

24038CK30 Bearing 2D drawings and 3D CAD models