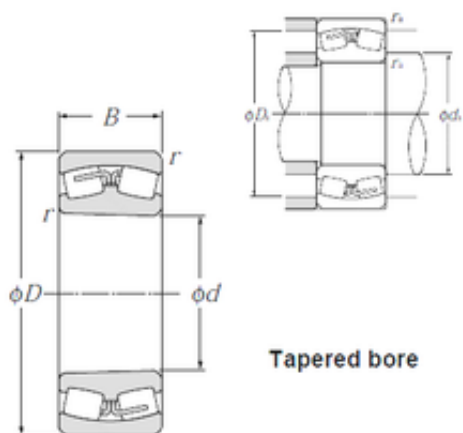




# BEARING CORP.OF AMERICA

## 200 mm x 280 mm x 60 mm NTN 23940K Spherical Roller Bearings



Bearing No. 23940K

Size	200x280x60 mm
Bore Diameter	200 mm
Outer Diameter	280 mm
Width	60 mm
d	200 mm
D	280 mm
B	60 mm
C	60 mm
r min.	2,1 mm
da min.	212 mm
Da max.	268 mm
ra max.	2 mm
Weight	11,7 Kg
Basic dynamic load rating (C)	545 kN
Basic static load rating (C0)	1 100 kN
(Grease) Lubrication Speed	1 200 r/min
(Oil) Lubrication Speed	1 600 r/min
Calculation factor (e)	0,17
Calculation factor (Y0)	3,82
Calculation factor (Y1)	3,91

23940K Bearing 2D drawings and 3D CAD models