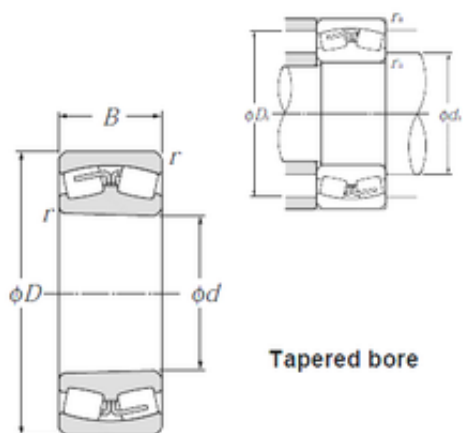




BEARING CORP.OF AMERICA

320 mm x 580 mm x 208 mm NTN 23264BK Spherical Roller Bearings



Bearing No. 23264BK

Size	320x580x208 mm
Bore Diameter	320 mm
Outer Diameter	580 mm
Width	208 mm
d	320 mm
D	580 mm
B	208 mm
C	208 mm
r min.	5 mm
da min.	342 mm
Da max.	558 mm
ra max.	4 mm
Weight	236 Kg
Basic dynamic load rating (C)	4 000 kN
Basic static load rating (C0)	7 050 kN
(Grease) Lubrication Speed	520 r/min
(Oil) Lubrication Speed	680 r/min
Calculation factor (e)	0,36
Calculation factor (Y0)	1,82
Calculation factor (Y1)	1,86
d2	403 mm
D1	491.6 mm
rs min	5 mm
Number of lubrication holes	8
b	33 mm

23264BK Bearing 2D drawings and 3D CAD models



BEARING CORP.OF AMERICA

k	20 mm
Associated sleeve reference	H3264
e	0.36
Y1	1.86
Y2	2.77
Y0	1.82
Radial clearance class	CN
Dynamic load, C	4,000 kN
Static load, C0	7,050 kN
Fatigue limit load, Cu	653 kN
Nref	510 rpm
Nlim	950 rpm
Min operating temperature, Tmin	-40 ° C
Max operating temperature, Tmax	120 ° C
Characteristic cage frequency, FTF	0.43 Hz
Characteristic rolling element frequency, BSF	6.85 Hz
Characteristic outer ring frequency, BPF0	8.18 Hz
Characteristic inner ring frequency, BPF1	10.82 Hz
da min	340 mm
db min	343 mm
Ce min	13 mm
Da max	560 mm
ra max	4 mm
Category	Bearings
Inventory	0.0
Manufacturer Name	NTN
Minimum Buy Quantity	N/A
Weight / Kilogram	229.662



BEARING CORP.OF AMERICA

Product Group	B04311
---------------	--------