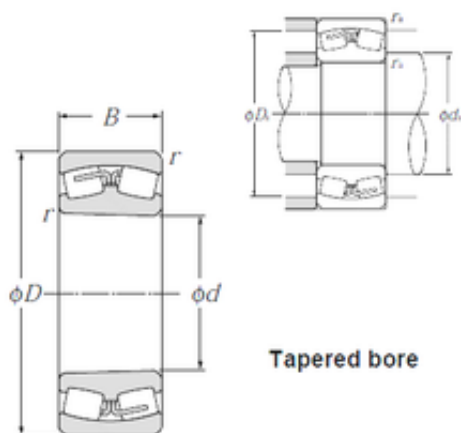




BEARING CORP.OF AMERICA

340 mm x 460 mm x 90 mm NTN 23968K Spherical Roller Bearings



Bearing No. 23968K

Size	340x460x90 mm
Bore Diameter	340 mm
Outer Diameter	460 mm
Width	90 mm
d	340 mm
D	460 mm
B	90 mm
C	90 mm
r min.	3 mm
da min.	354 mm
Da max.	446 mm
ra max.	2,5 mm
Weight	43,3 Kg
Basic dynamic load rating (C)	1 220 kN
Basic static load rating (C0)	2 650 kN
(Grease) Lubrication Speed	650 r/min
(Oil) Lubrication Speed	870 r/min
Calculation factor (e)	0,17
Calculation factor (Y0)	3,83
Calculation factor (Y1)	3,91

23968K Bearing 2D drawings and 3D CAD models