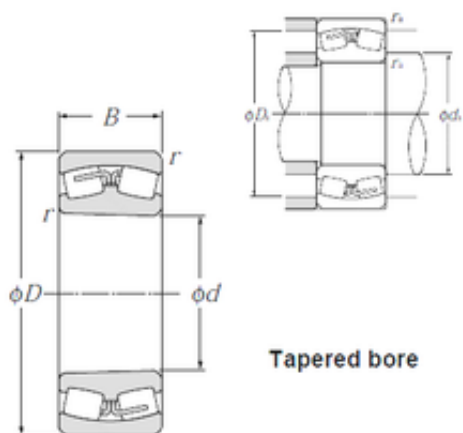




BEARING CORP.OF AMERICA

440 mm x 720 mm x 280 mm NTN 24188BK30 Spherical Roller Bearings



Bearing No. 24188BK30

24188BK30 Bearing 2D drawings and 3D CAD models

Size	440x720x280 mm
Bore Diameter	440 mm
Outer Diameter	720 mm
Width	280 mm
d	440 mm
D	720 mm
B	280 mm
C	280 mm
r min.	6 mm
da min.	468 mm
Da max.	692 mm
ra max.	5 mm
Weight	449 Kg
Basic dynamic load rating (C)	6 450 kN
Basic static load rating (C0)	13 100 kN
(Grease) Lubrication Speed	390 r/min
(Oil) Lubrication Speed	500 r/min
Calculation factor (e)	0,39
Calculation factor (Y0)	1,71
Calculation factor (Y1)	1,75
Category	Bearings
Inventory	0.0
Manufacturer Name	NTN
Minimum Buy Quantity	N/A
Weight / Kilogram	449



BEARING CORP.OF AMERICA

Product Group	B04311
---------------	--------