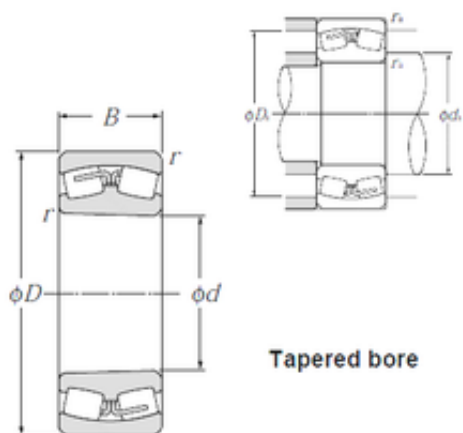




BEARING CORP.OF AMERICA

900 mm x 1 280 mm x 375 mm NTN 240/900BK30 Spherical Roller Bearings



Bearing No. 240/900BK30

Size	900x1280x375 mm
Bore Diameter	900 mm
Outer Diameter	1280 mm
Width	375 mm
d	900 mm
D	1 280 mm
B	375 mm
C	375 mm
r min.	7,5 mm
da min.	936 mm
Da max.	1 244 mm
ra max.	6 mm
Weight	1 540 Kg
Basic dynamic load rating (C)	13 200 kN
Basic static load rating (C0)	33 500 kN
(Grease) Lubrication Speed	170 r/min
(Oil) Lubrication Speed	220 r/min
Calculation factor (e)	0,27
Calculation factor (Y0)	2,43
Calculation factor (Y1)	2,48

240/900BK30 Bearing 2D drawings and 3D CAD models