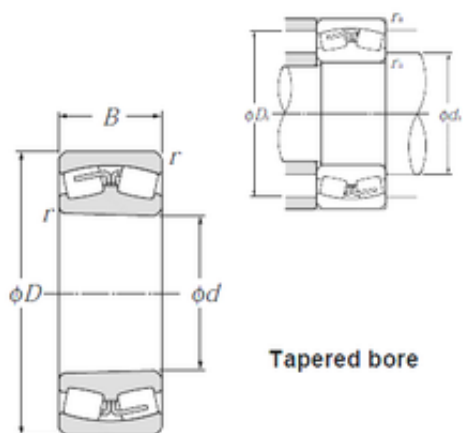




BEARING CORP.OF AMERICA

1000 mm x 1 420 mm x 412 mm NTN 240/1000BK30 Spherical Roller Bearings



Bearing No. 240/1000BK30

Size	1000x1420x412 mm
Bore Diameter	1000 mm
Outer Diameter	1420 mm
Width	412 mm
d	1000 mm
D	1 420 mm
B	412 mm
C	412 mm
r min.	7,5 mm
da min.	1 036 mm
Da max.	1 384 mm
ra max.	6 mm
Weight	2 080 Kg
Basic dynamic load rating (C)	16 000 kN
Basic static load rating (C0)	42 000 kN
(Grease) Lubrication Speed	150 r/min
(Oil) Lubrication Speed	190 r/min
Calculation factor (e)	0,27
Calculation factor (Y0)	2,45
Calculation factor (Y1)	2,51

240/1000BK30 Bearing 2D drawings and 3D CAD models