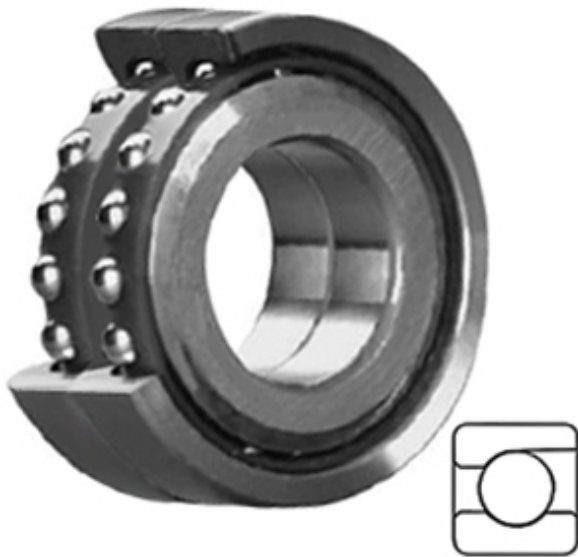




BEARING CORP.OF AMERICA

130BAR10STYNDBLP4A NSK Super Precision Bearings



Bearing No. 130BAR10STYNDBLP4A

130BAR10STYNDBLP4A Bearing 2D drawings and 3D CAD models

Category	Precision Ball Bearings
Inventory	0.0
Manufacturer Name	NSK
Minimum Buy Quantity	N/A
Weight	7.11
Product Group	B04270
Enclosure	Open
Precision Class	ABEC 7 ISO P4
Material - Ball	Steel
Number of Bearings	2 (1 Pair)
Contact Angle	30 Degree
Preload	Light
Raceway Style	1 Rib Outer Ring
Cage Material	Polyamide
Rolling Element	Ball Bearing
Mounting Arrangement	Duplex-Back to Back
Flush Ground	Yes
Inch - Metric	Metric
Other Features	Single Row Angular Contact Thrust Bearing High Speed ISO 4 Expect OD
Long Description	130MM Bore; 200MM Outside Diameter; 63MM Width; Open Enclosure; ABEC 7 ISO P4 Precision; Steel Ball Material; 2 (1 Pair) Bearings; 30 Degree Contact



BEARING CORP.OF AMERICA

	Angle; Polyamide Cage Material; 1 Rib Outer Ring
Category	Precision Ball Bearings
UNSPSC	31171531
Harmonized Tariff Code	8482.10.50.28
Noun	Bearing
Keyword String	Angular Contact Ball
Manufacturer URL	http://www.nskamericas.com
Manufacturer Item Number	130BAR10STYNDBLP4A
Weight / LBS	15.653
D	7.874 Inch 200 Millimeter
B	2.48 Inch 63 Millimeter
d	5.118 Inch 130 Millimeter